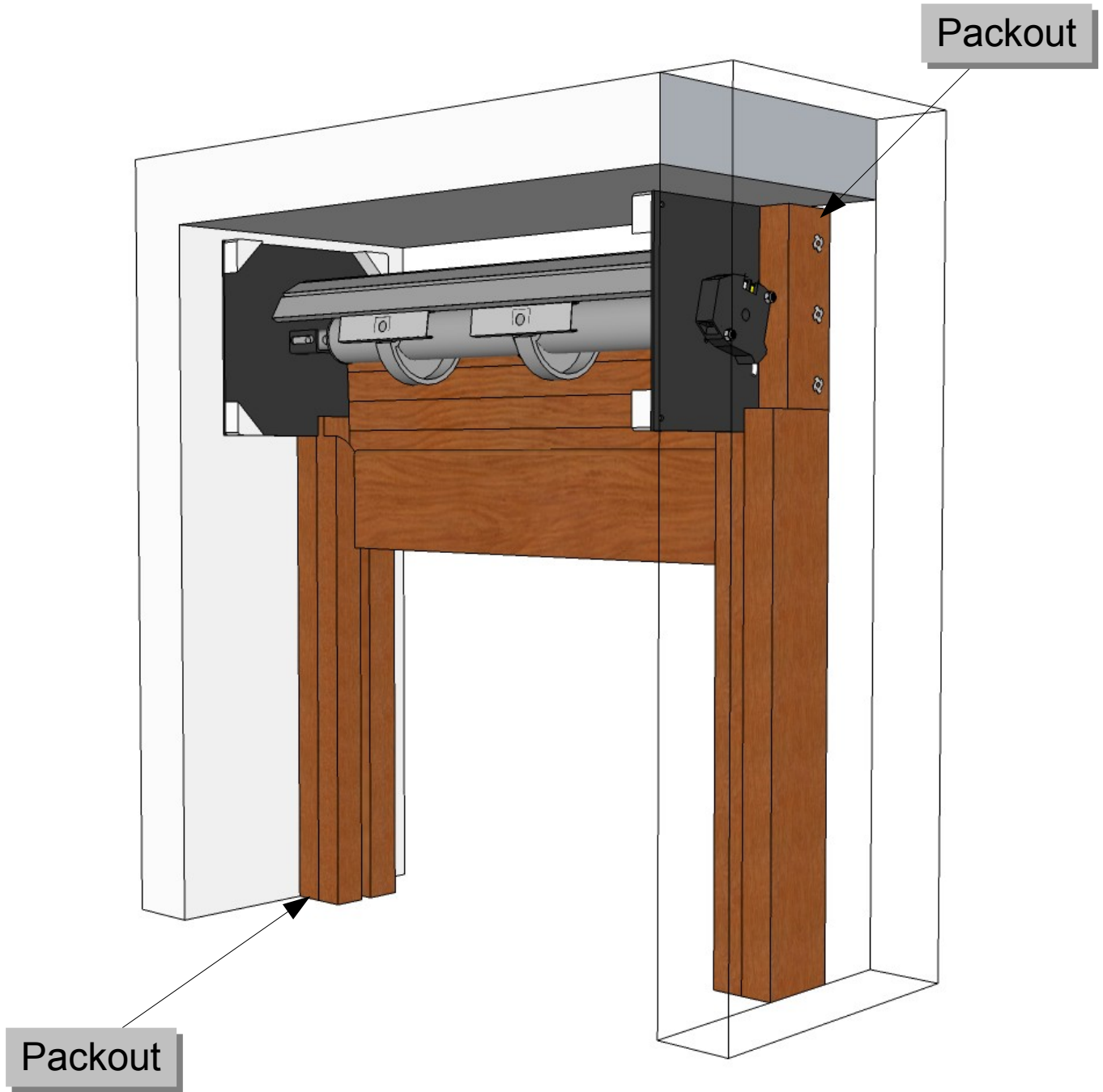


Inside Mount Under Lintel Motorized Operation

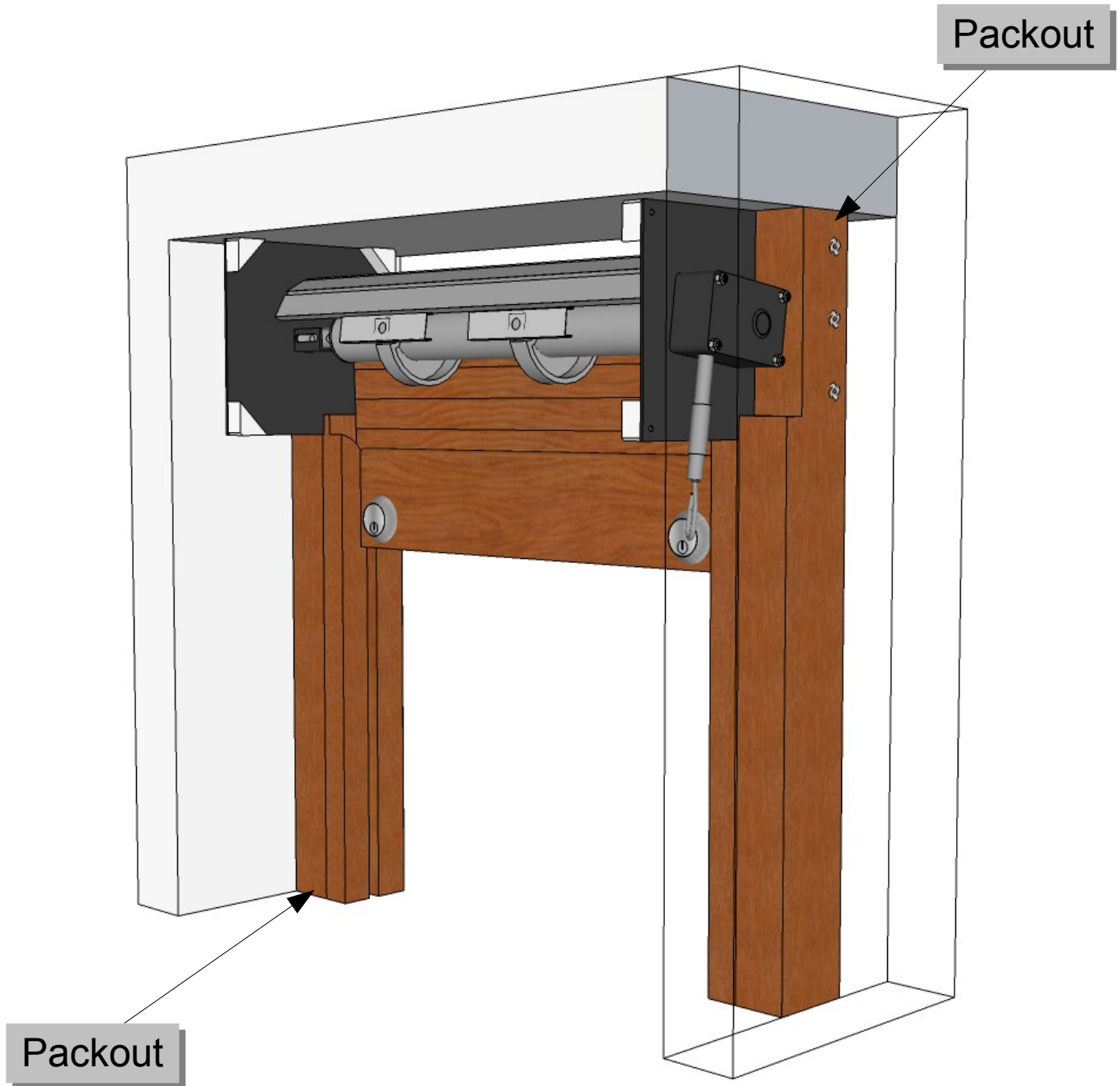
View from Coil Side



Shown without Hood or Fascia option

Inside Mount Under Lintel Hand Crank Operation

View from Coil Side



Shown without Hood or Fascia option
Shown with Keylock option